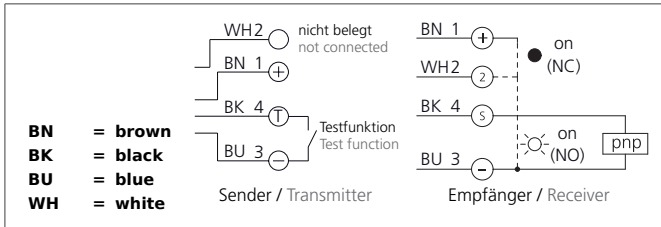


OES 18 FKR 8000 P3-B4

Through Beam Sensor, Transmitter and Receiver

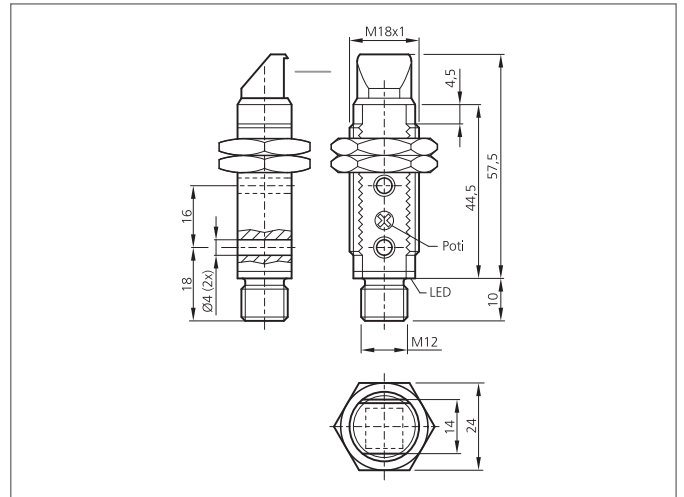
- Angled optics
- Universal mounting possibility
- Low installation depth
- Sensitivity adjustable
- LED indicator for output state
- Plastic housing



Safety instructions

The Instruments are not to be used for safety applications, in particular applications in which safety of persons depends on proper operation of the instruments.

These instruments shall exclusively be used by qualified personnel.



| TECHNICAL INFORMATION (typ.) | +20°C, 24V DC |
|------------------------------|--|
| Operating principle | Through beam sensor |
| Evaluation | digital |
| Size | M18 x 1 (thread) |
| Design | screw |
| Emitted light | Infrared, 880 nm, clocked |
| Service voltage | 10 ... 30 V DC |
| Internal power consumption | 30 mA |
| Operating distance | 0 ... 8.000 mm |
| Sensitivity adjustment | potentiometer |
| Switching output | pnp, 100 mA, NO/NC |
| Switching frequency | 333 Hz |
| Response-/release time | 1,5 ms / 1,5 ms |
| Ambient temperature | -25 ... +55 °C |
| Ambient light immunity | 3 kLx, clocked light, > 10 kLx, Sunlight |
| Protection class | IP 67 |
| Protection degree | III, operation on protective low voltage |
| Casing material | ABS |
| Material | polymethyl methacrylate (Window) |
| Connection | Connector, M12, 4-poled |